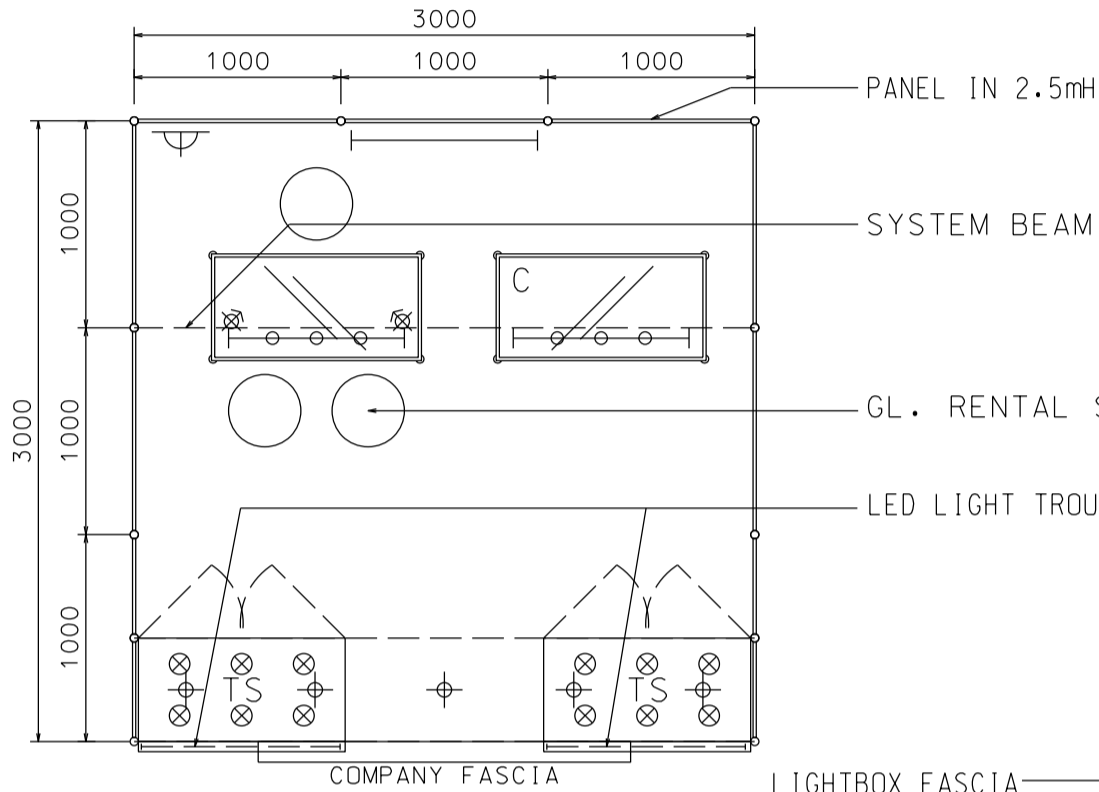


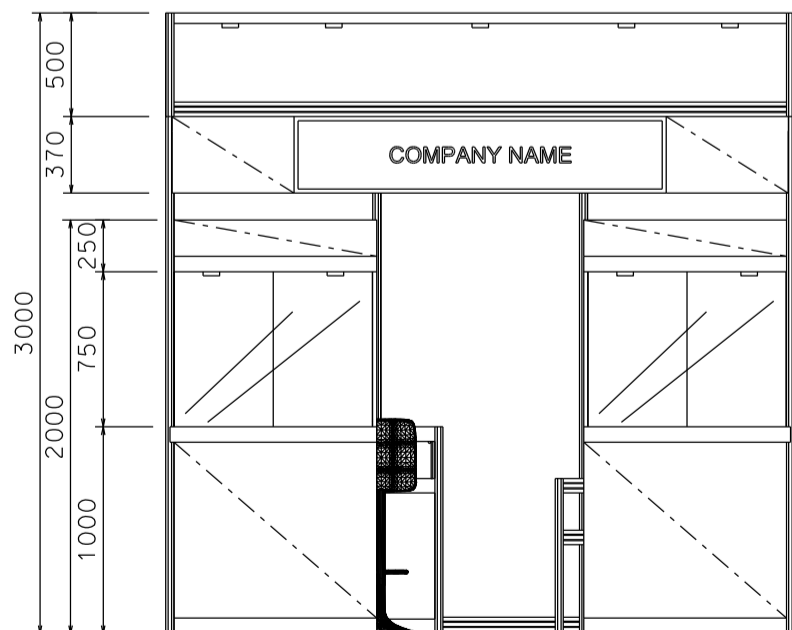
Antique & Vintage Jewellery Galleria

3m x 3m x 3mH Non-Corner Booth (Option B)

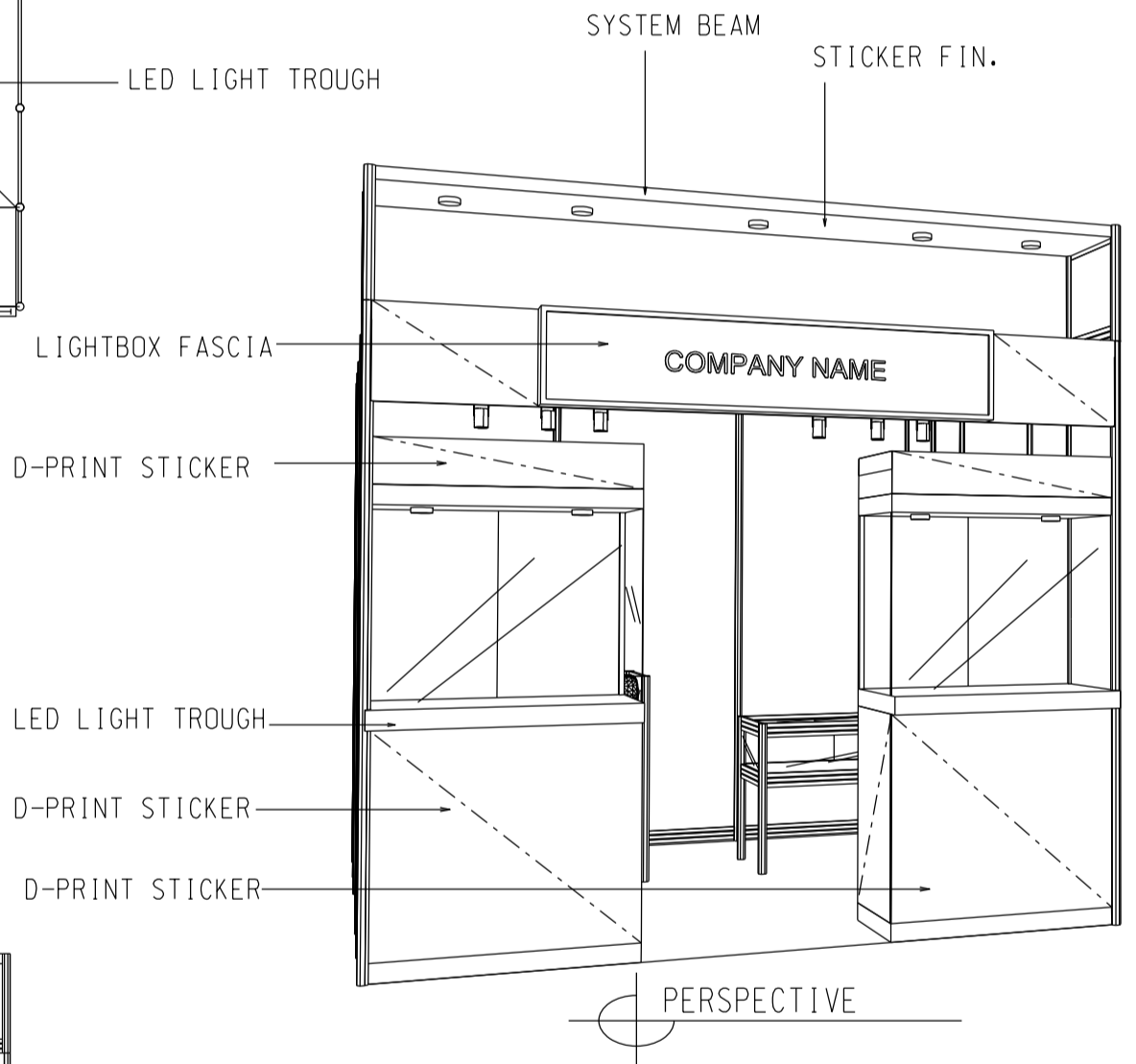
三米乘三米標準攤位



PLAN



ELEVATION



PERSPECTIVE

BOOTH SPECIFICATIONS		QTY.
	1000L x 500W x 2500H TALL SHOWCASE W/ WOODEN SWING DOOR AND 6 X 7W LED DOWNLIGHT (YELLOW LIGHT)	2
	1000L x 500W x 750H TABLE SHOWCASE	1
	1000L X 500W X 1000H TABLE SHOWCASE COUNTER W/ 2 X 7W LED TRACKLIGHT INSIDE (YELLOW LIGHT) IN STICKER LAMINATION	1
	3 X 7W LED TRACK LIGHT (YELLOW LIGHT)	3
	LED T5 TUBE (WHITE LIGHT)	1
	7W LED DOWNLIGHT (FOR FASCIA)	5
	GL. RENTAL STOOL (CB22WI)	3
	500W POWER SOCKET	1
	CEILING BEAM	6M
	RUBBISH BIN & CARPET (9sqm.)	