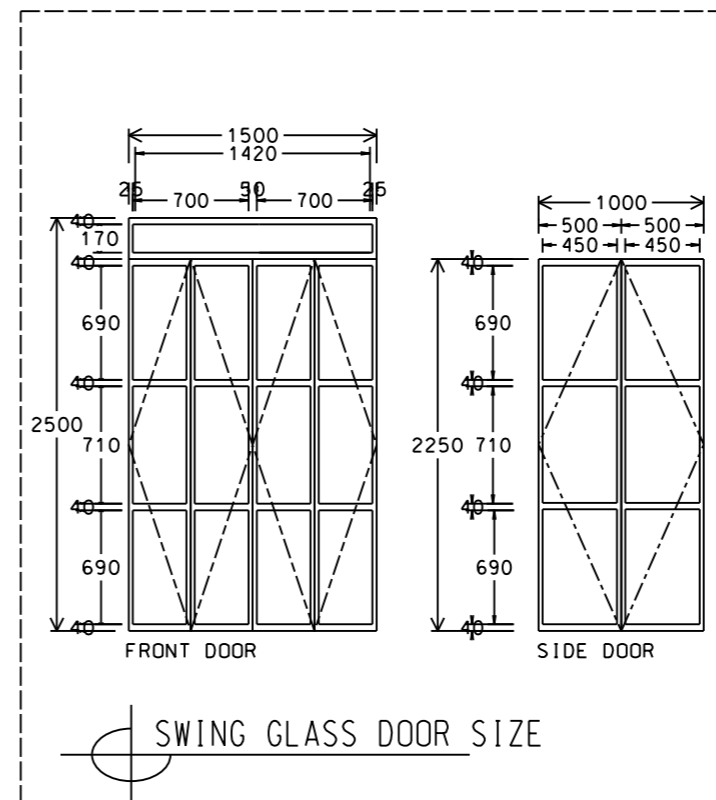
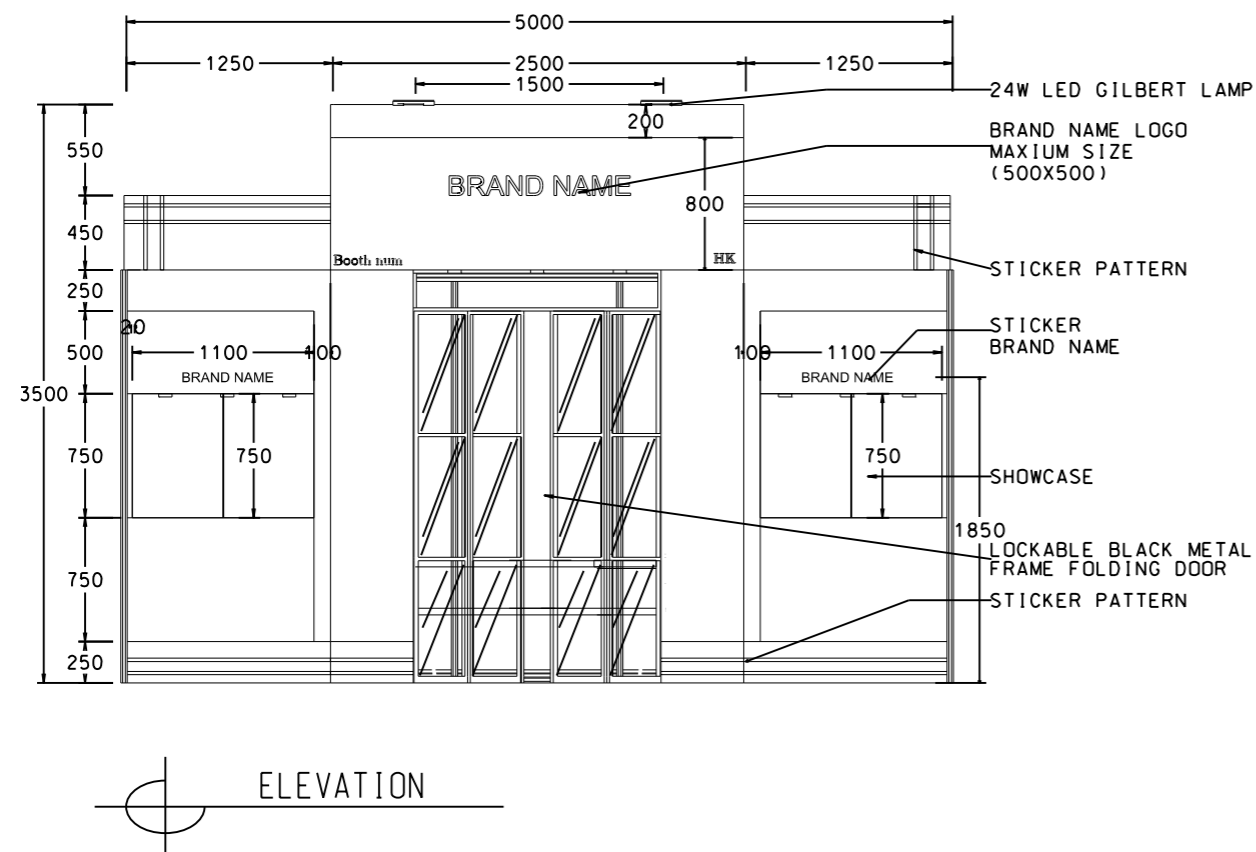
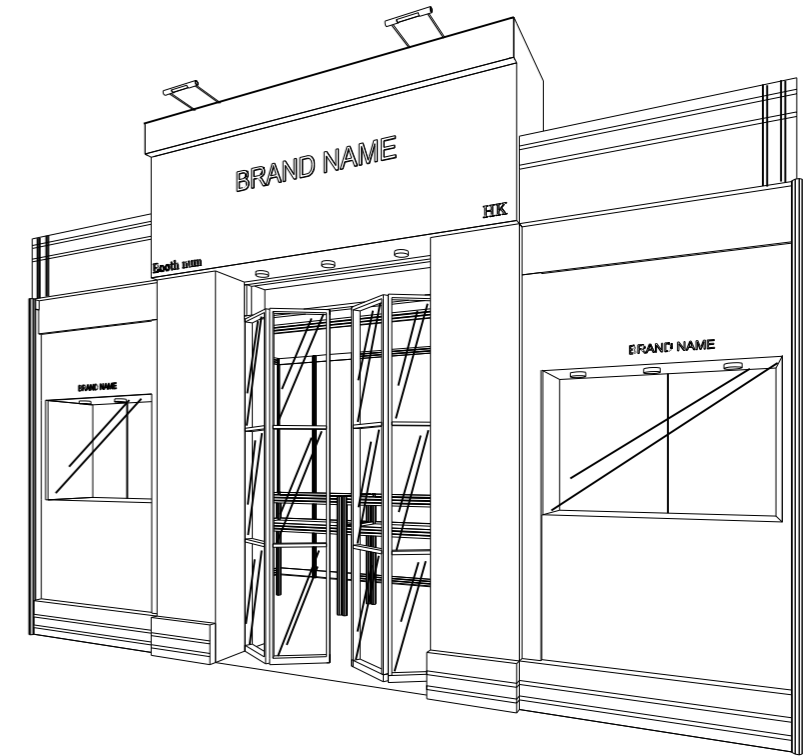
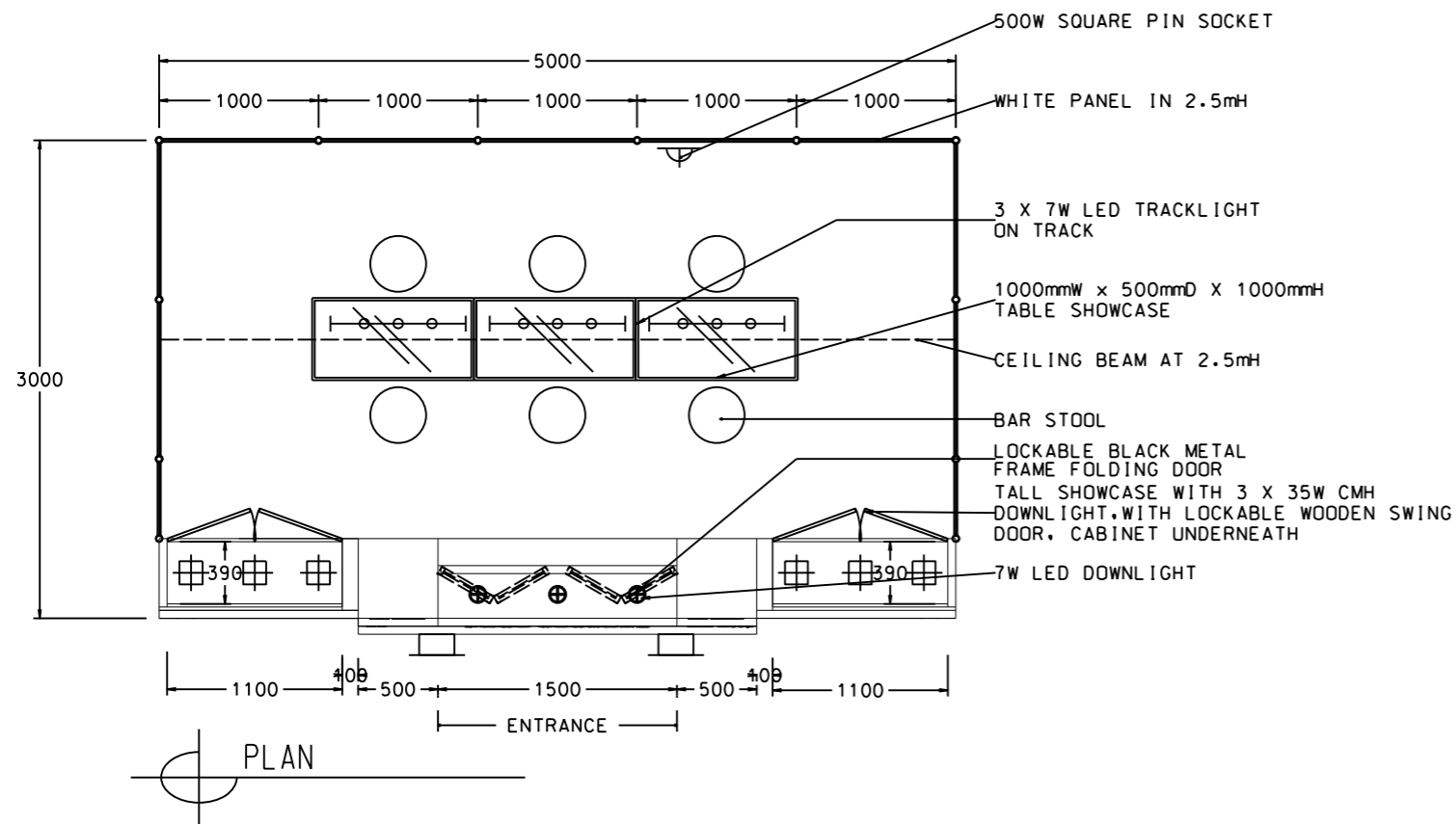


5X3 NON-CORNER BOOTH



| BOOTH SPECIFICATIONS | | QTY. |
|-------------------------------|---|------|
| | 1mL TALL SHOWCASE WITH 3 X 35W CMH DOWNLIGHT, WITH LOCKABLE WOODEN SWING DOOR, CABINET UNDERNEATH | 2 |
| | 1000mmW x 500mmD X 1000mmH TABLE SHOWCASE | 3 |
| | 7W LED DOWNLIGHT (FOR ENTRANCE) | 3 |
| | 3 x 50w HALOGEN TRACK LIGHT ON 1m TRACK (WHITE LIGHT) | 3 |
| | 24W LED GILBERT LAMP (FOR FASCIA) | 2 |
| | 500W SQUARE PIN SOCKET | 1 |
| | BAR STOOL | 6 |
| | CEILING BEAM | 5M |
| RUBBISH BIN & CARPET (15sqm.) | | |

| | |
|------------------------|---|
| <p>HKTDG 香港貿發局</p> | <p>NOTES UNLESS OTHERWISE SPECIFIED ALL DIMENSIONS ARE IN MM.</p> <p>.....</p> <p>.....</p> <p>.....</p> |
|------------------------|---|

| |
|---|
| <p>REVISION</p> <p>19/01/2010</p> <p>31/12/2021</p> |
|---|

| | |
|-------------|------------|
| DATE: | 31/12/2021 |
| SCALE: | 1: .. (A1) |
| DRAWN BY: | DF |
| CHECKED BY: | |

| |
|--|
| <p>TITLE</p> <p>HALL OF FAME WORKIGN DRAWING 5x3 NON-CORNER BOOTH</p> |
|--|

| |
|--|
| <p>PROJECT</p> <p>HK INT'L JEWELLERY SHOW</p> <p>DATE</p> |
|--|

| |
|-----------------------|
| <p>SHEET</p> <p>1</p> |
|-----------------------|