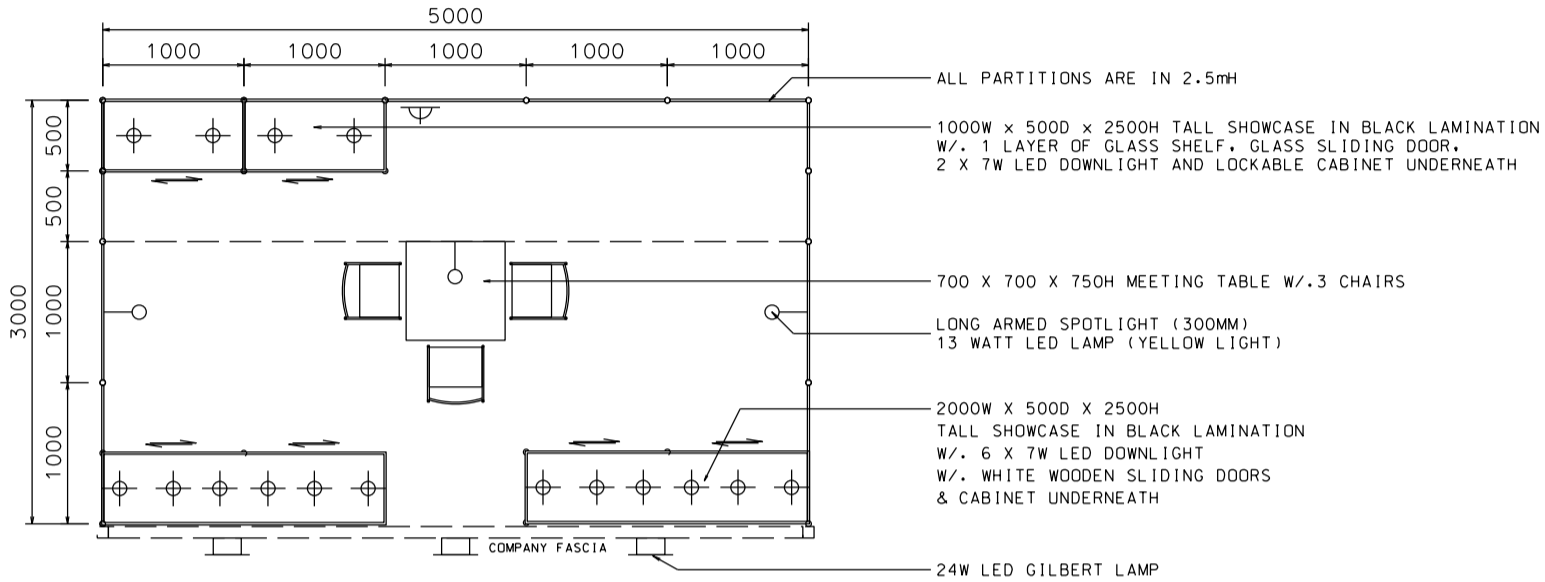
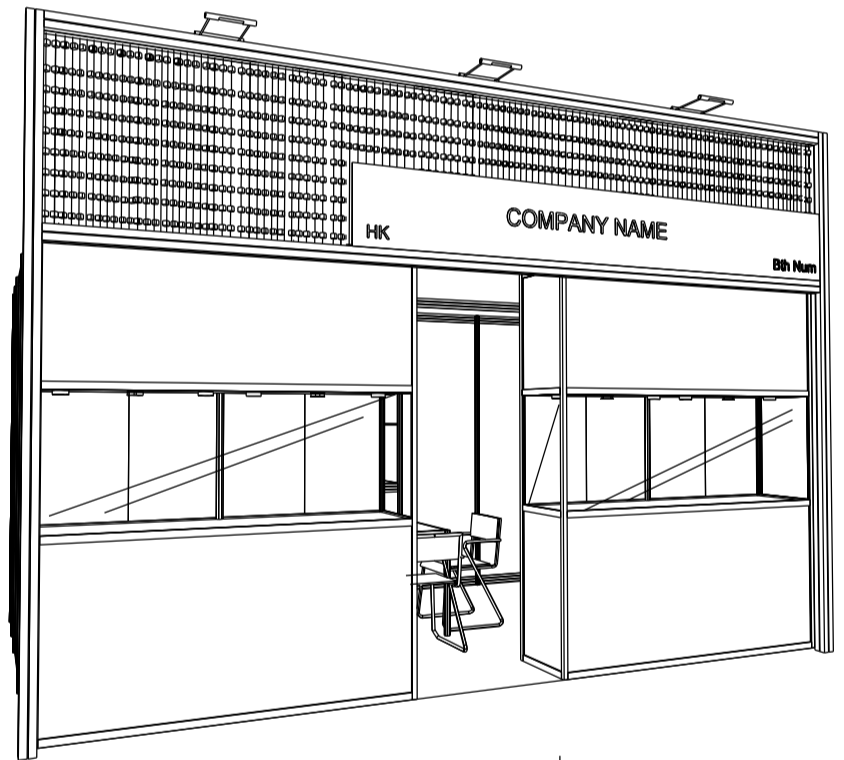


5M x 3M Deluxe Non-Corner Booth (Option A)

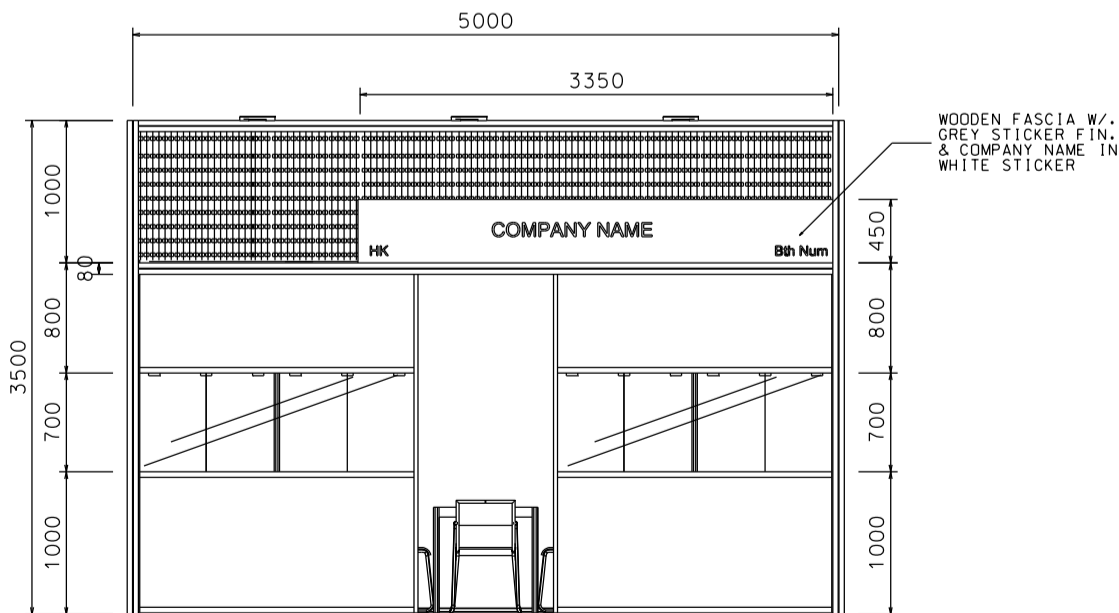
五米乘三米攤位



PLAN



PERSPECTIVE



ELEVATION

BOOTH SPECIFICATIONS		QTY.
	2000W x 500D x 2500H TALL SHOWCASE IN BLACK LAMINATION & WHITE SLIDING DOORS W/. 6 X 7W LED DOWNLIGHT, CABINET UNDERNEATH	2
	1000W x 500D x 2500H TALL SHOWCASE IN BLACK LAMINATION W/. 1 LAYER GLASS SHELF, GLASS SLIDING DOORS & 2 X 7W LED DOWNLIGHT	2
	LONG ARMED SPOTLIGHT (300MM) 13 WATT LED LAMP (YELLOW LIGHT)	3
	24W LED GILBERT LAMP (FOR FASCIA)	3
	500W SQUARE PIN POWER SOCKET	1
	700W x 700D x 750H MEETING TABLE	1
	BLACK LEATHER CHAIR	3
	CEILING BEAM	5M
	RUBBISH BIN & CARPET (15sqm.)	