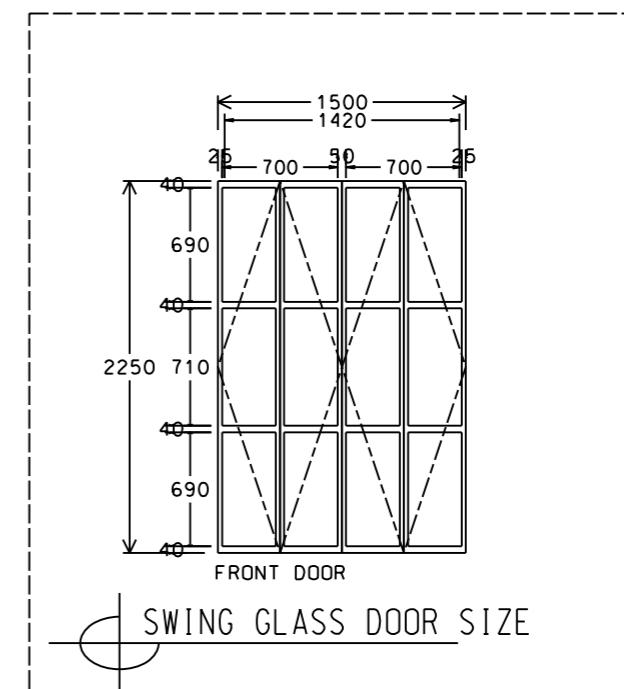
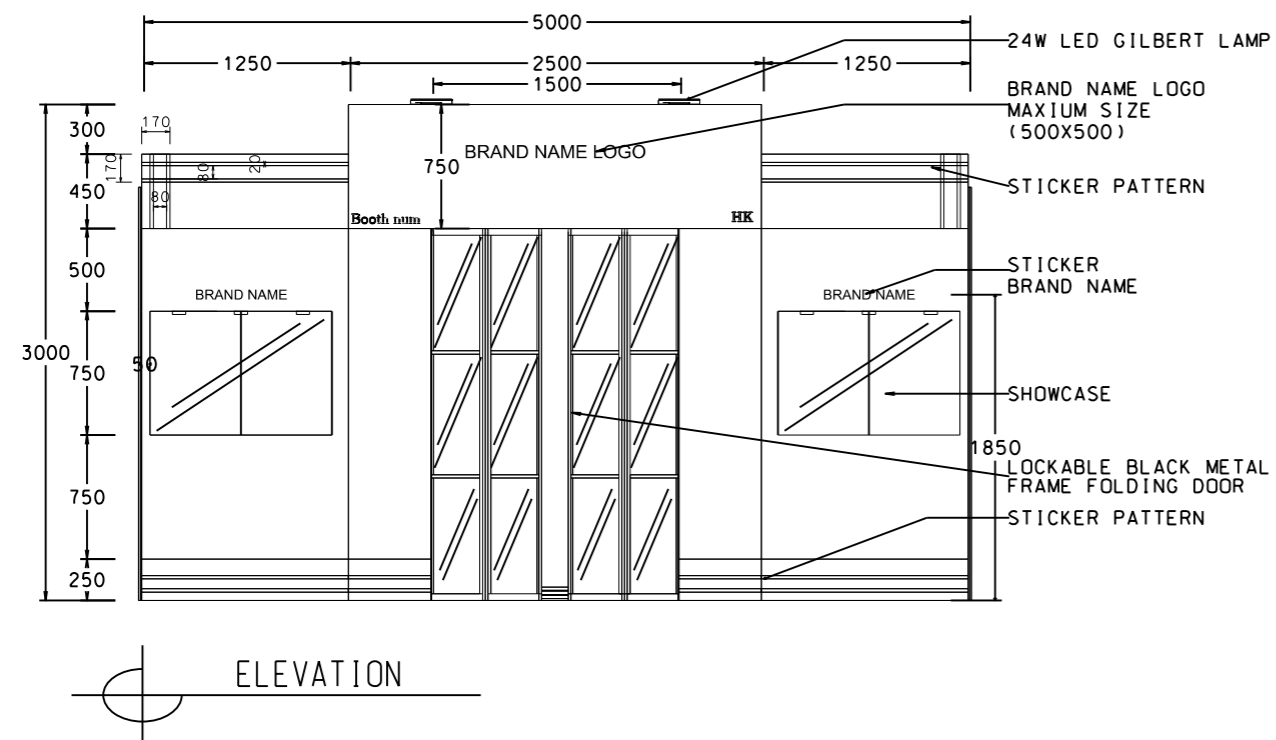
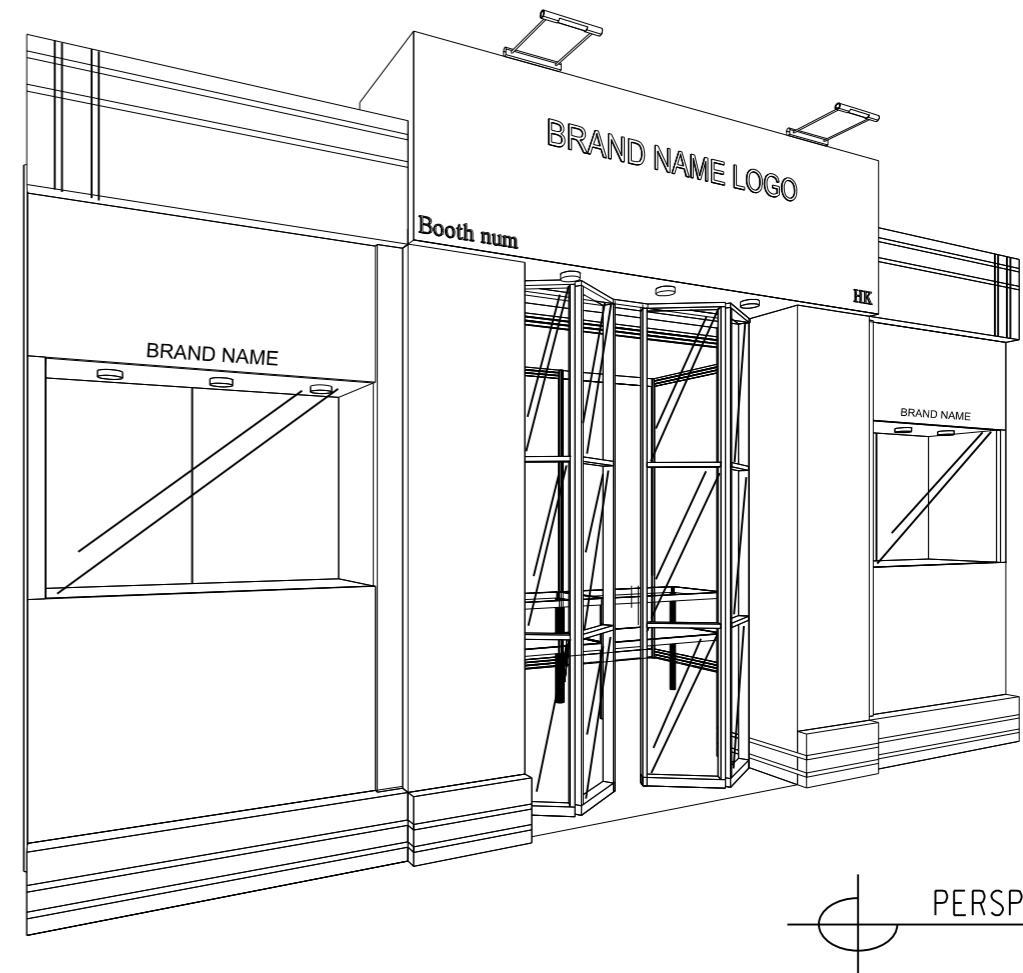
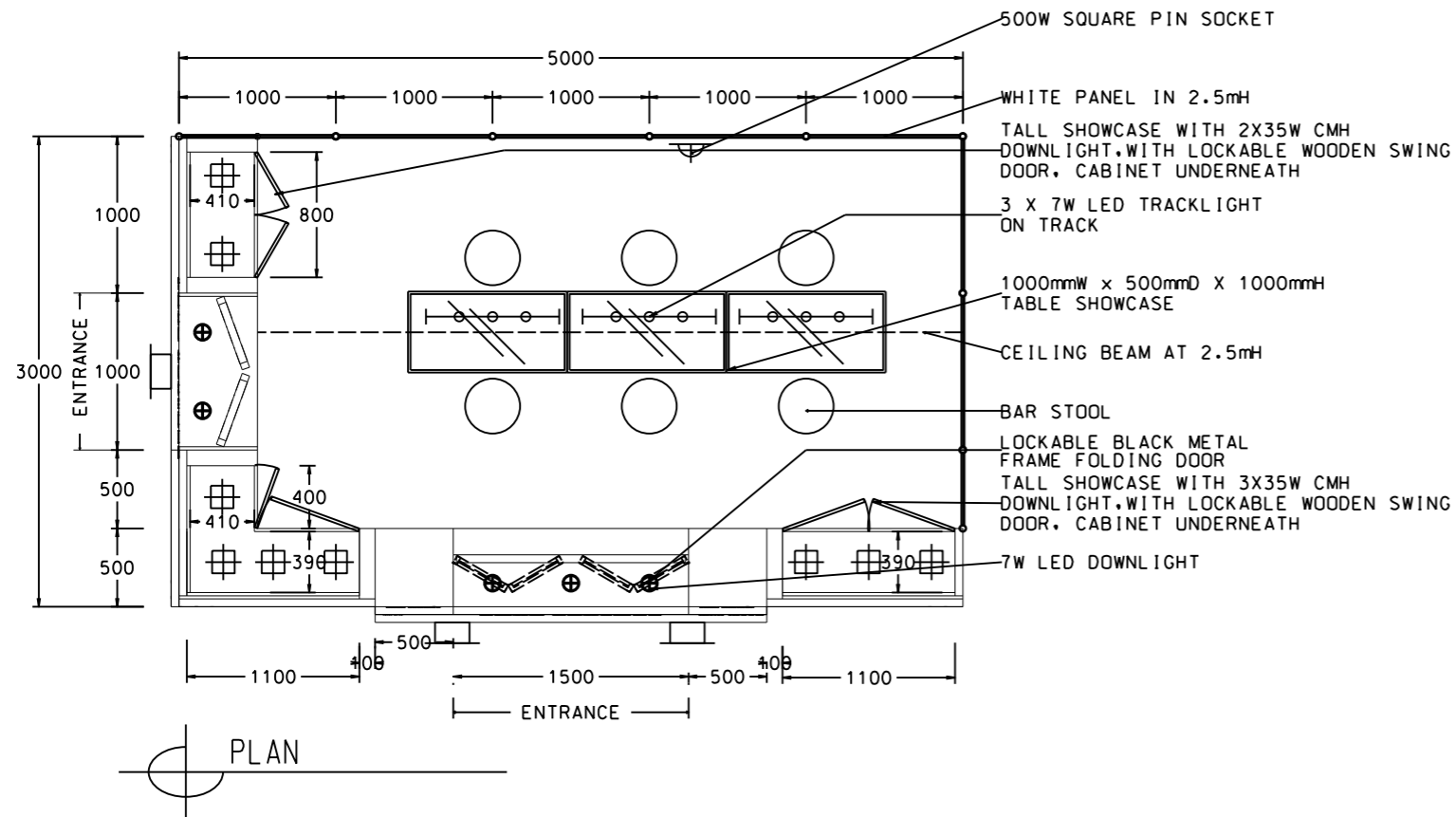


# 5X3 BOOTH (3mH)



NOTES UNLESS OTHERWISE SPECIFIED ALL DIMENSIONS ARE IN MM.	
.....	.....
.....	.....
.....	.....

REVISION	04/01/2010
	22/11/2013
	31/12/2021

DATE:	31/12/2021
SCALE:	1: .. (A1)
DRAWN BY:	DF
CHECKED BY:	

**TITLE**  
 HALL OF FAME  
 WORKIGN DRAWING  
 4X3 STANDARD  
 BOOTH (3mH)

**PROJECT**  
 HK INT'L JEWELLERY  
 SHOW  
 DATE

SHEET  
**1**