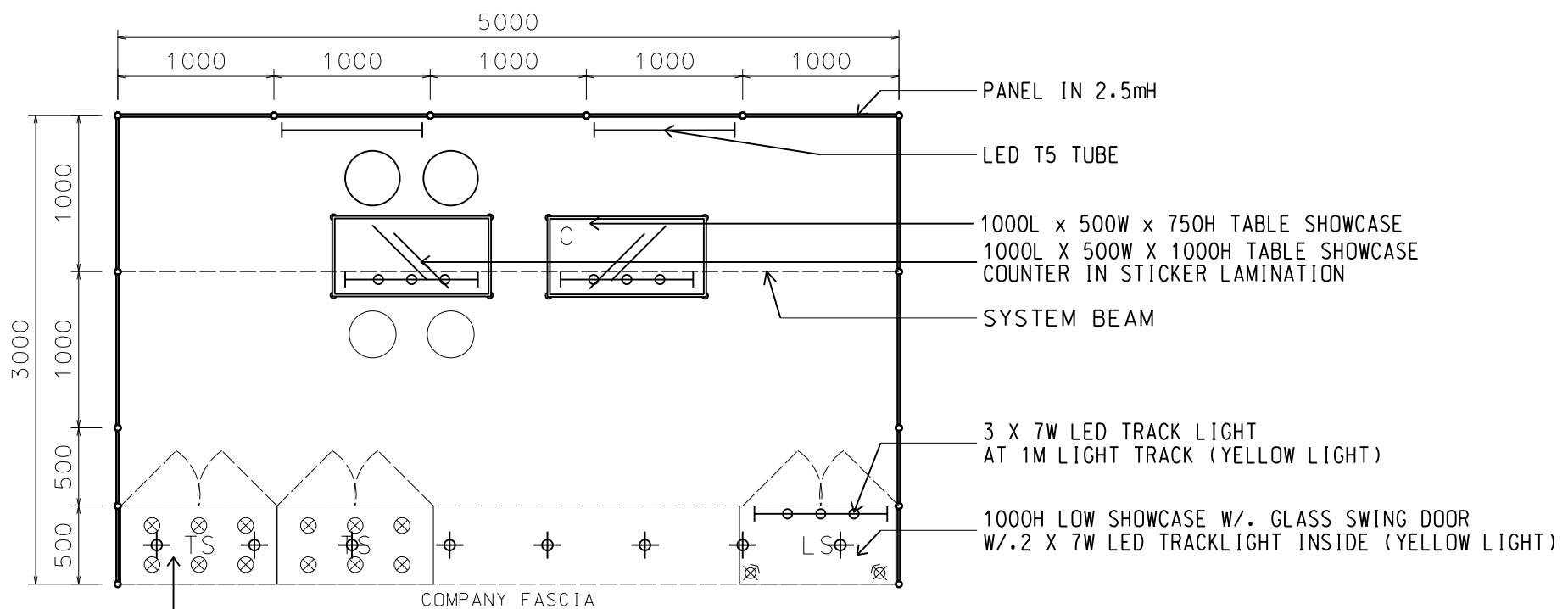


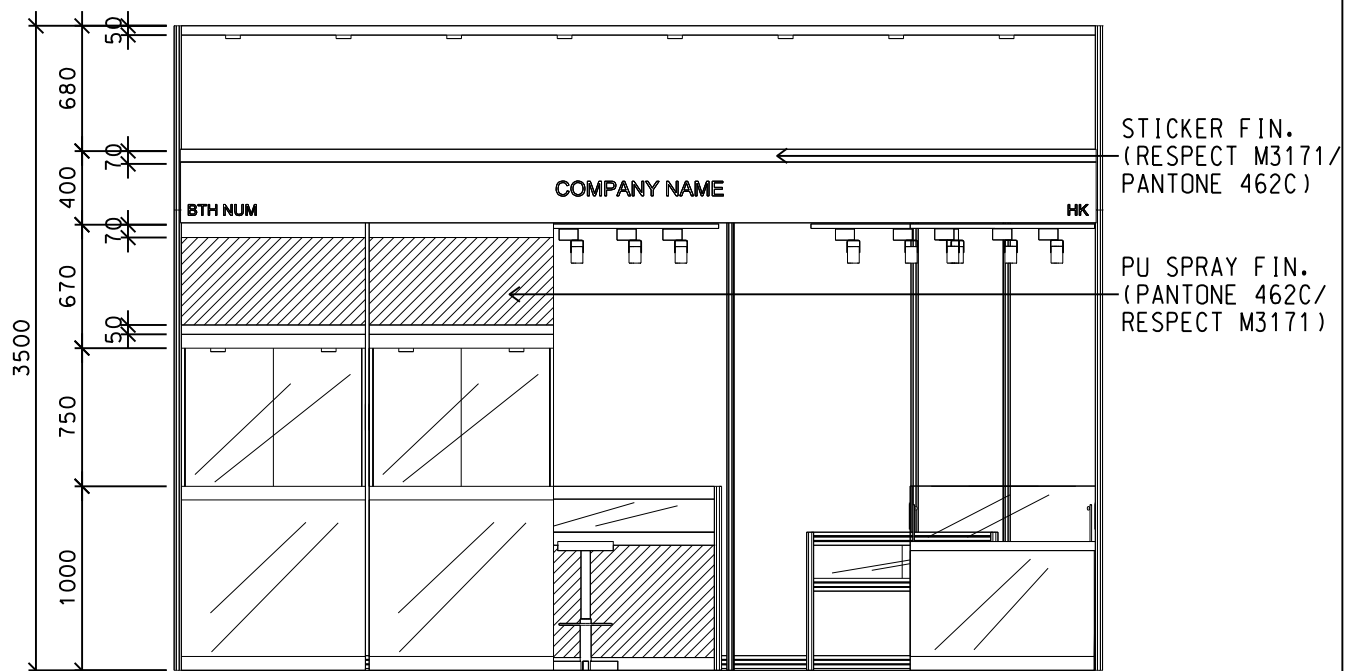
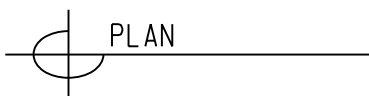
Hall of Antique

5m x 3m x 3.5mH Non-Corner Booth(Option A)

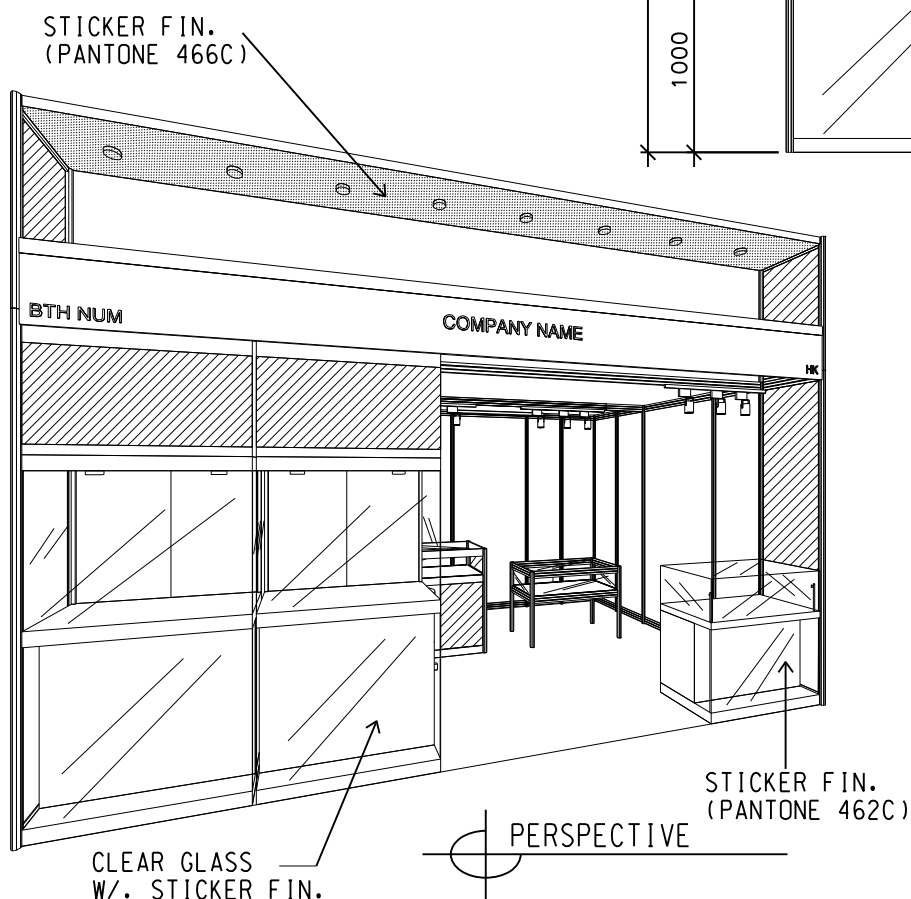
五米乘三米標準攤位



2500H TALL SHOWCASE W/.
WOODEN SWING LOCKABLE DOOR AND
6 X 7W LED DOWNLIGHT
(YELLOW LIGHT)



ELEVATION



BOOTH SPECIFICATIONS		QTY.
	1000L x 500W x 2500H TALL SHOWCASE W/. WOODEN SWING DOOR AND 6 X 7W LED DOWNLIGHT (YELLOW LIGHT)	2
	1000L x 500W x 1000H LOW SHOWCASE (GLASS DOOR) W/. 2 X 7W LED TRACKLIGHT INSIDE (YELLOW LIGHT)	1
	1000L x 500W x 750H TABLE SHOWCASE	1
	1000L x 500W x 1000H TABLE SHOWCASE COUNTER IN STICKER LAMINATION	1
	3 X 7W LED TRACK LIGHT (YELLOW LIGHT)	3
	LED T5 TUBE (WHITE LIGHT)	2
	7W LED DOWNLIGHT (FOR FASCIA)	8
	BAR STOOL	4
	CEILING BEAM	10M
	RUBBISH BIN & CARPET (15sqm.)	

*The Hong Kong Trade Development Council reserves the right to change the configuration if necessary.

*如有需要，香港貿易發展局有權更改攤位結構。