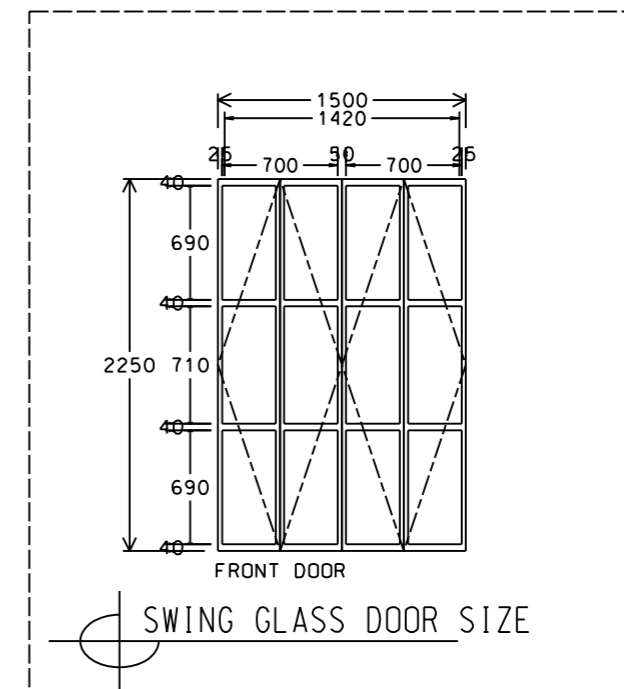
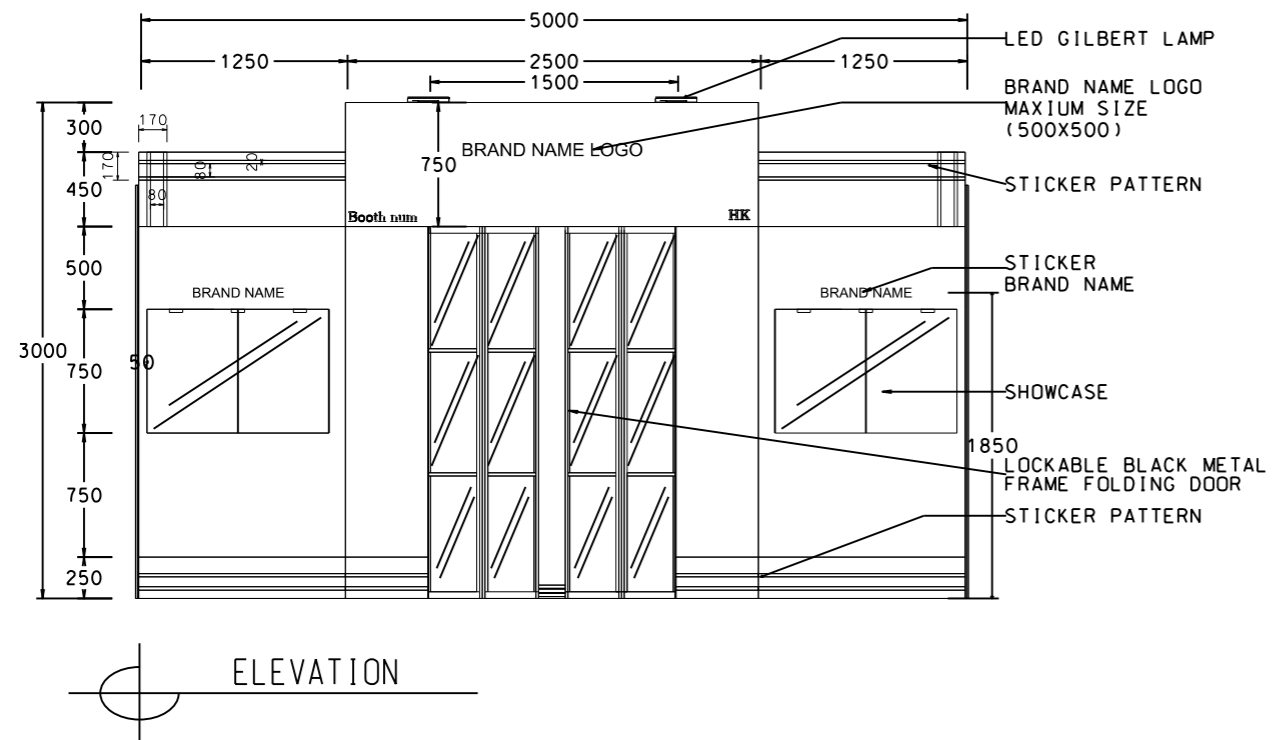
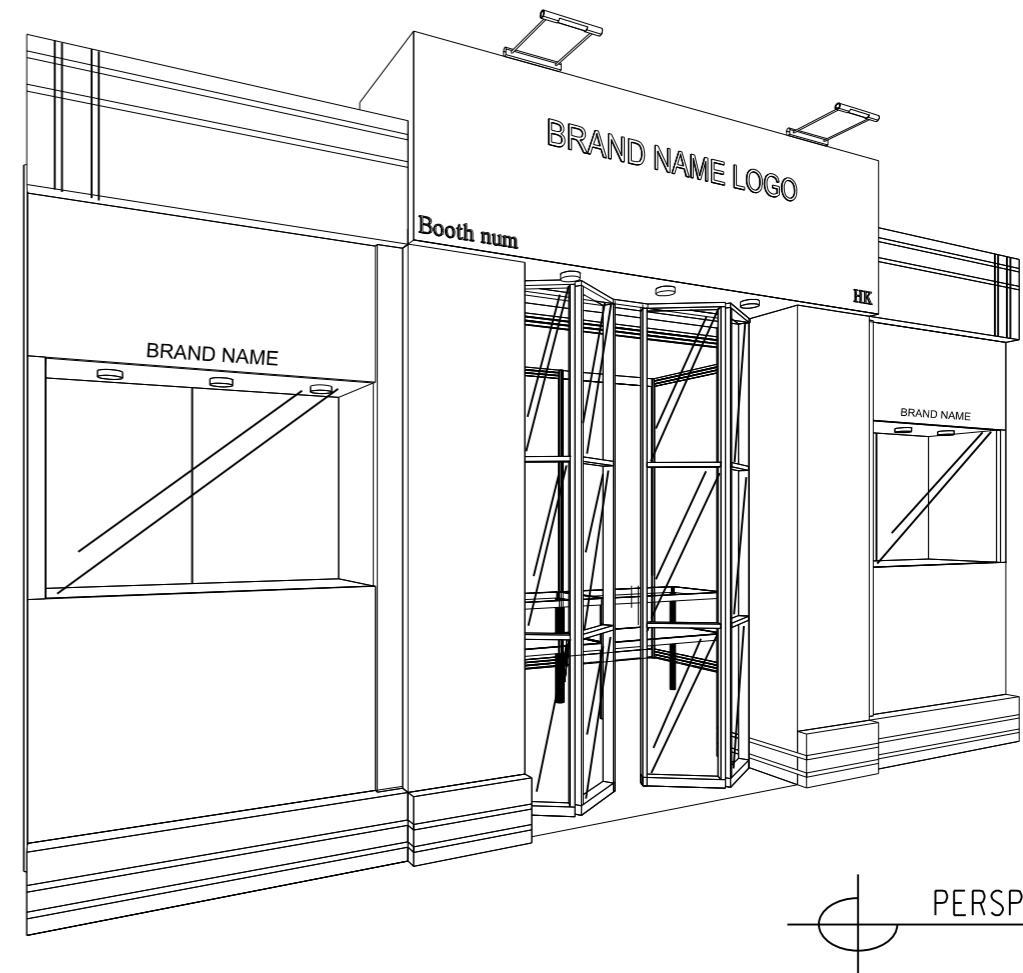
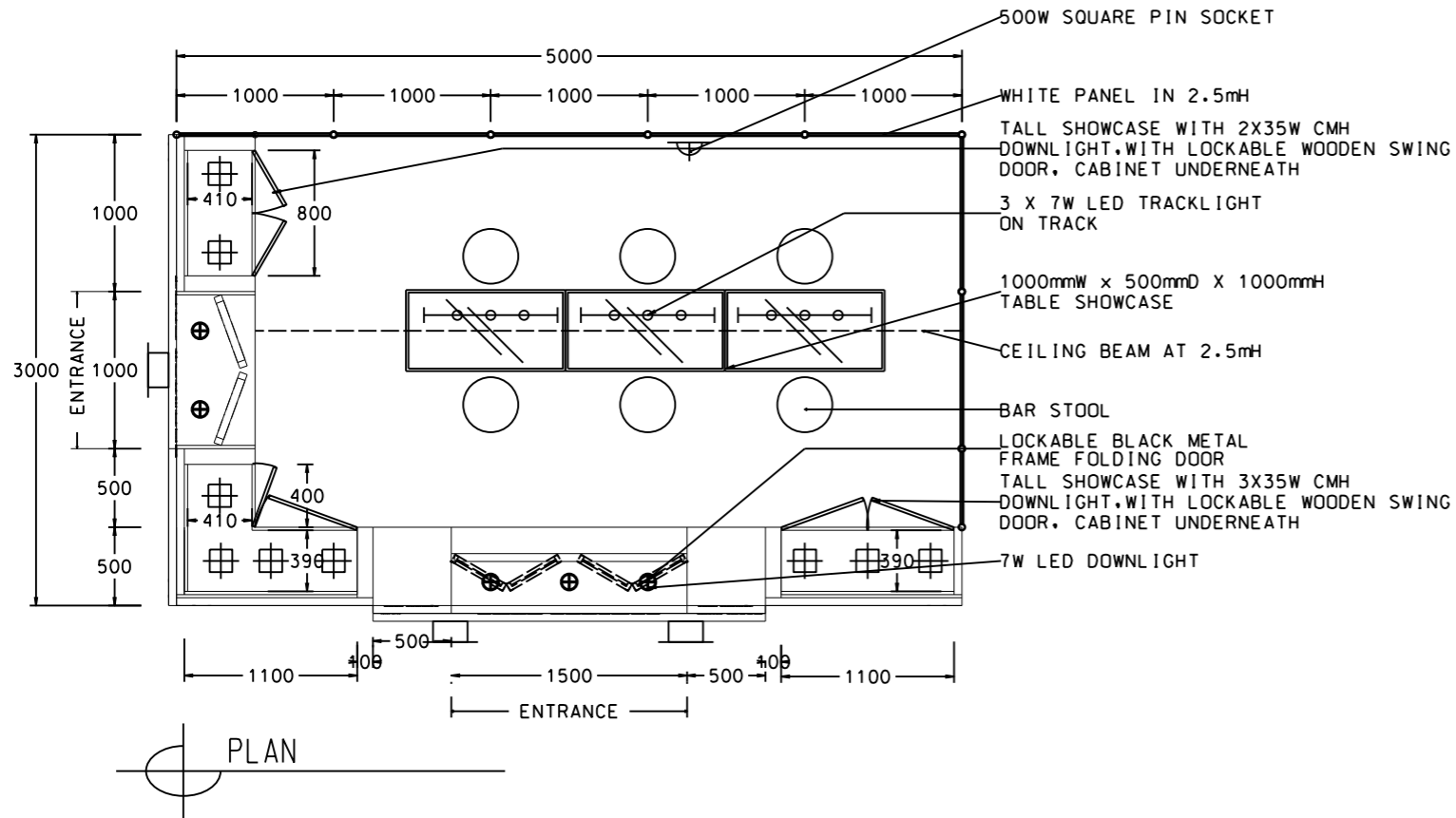


5X3 BOOTH (3mH)



NOTES UNLESS OTHERWISE SPECIFIED ALL DIMENSIONS ARE IN MM.	
.....
.....
.....

REVISION	04/01/2010
	22/11/2013
	31/12/2021

DATE:	31/12/2021
SCALE:	1: .. (A1)
DRAWN BY:	DF
CHECKED BY:	

TITLE	HALL OF FAME WORKIGN DRAWING 4X3 STANDARD BOOTH (3mH)
-------	--

PROJECT	HK INT'L JEWELLERY SHOW
DATE	

SHEET	1
-------	---